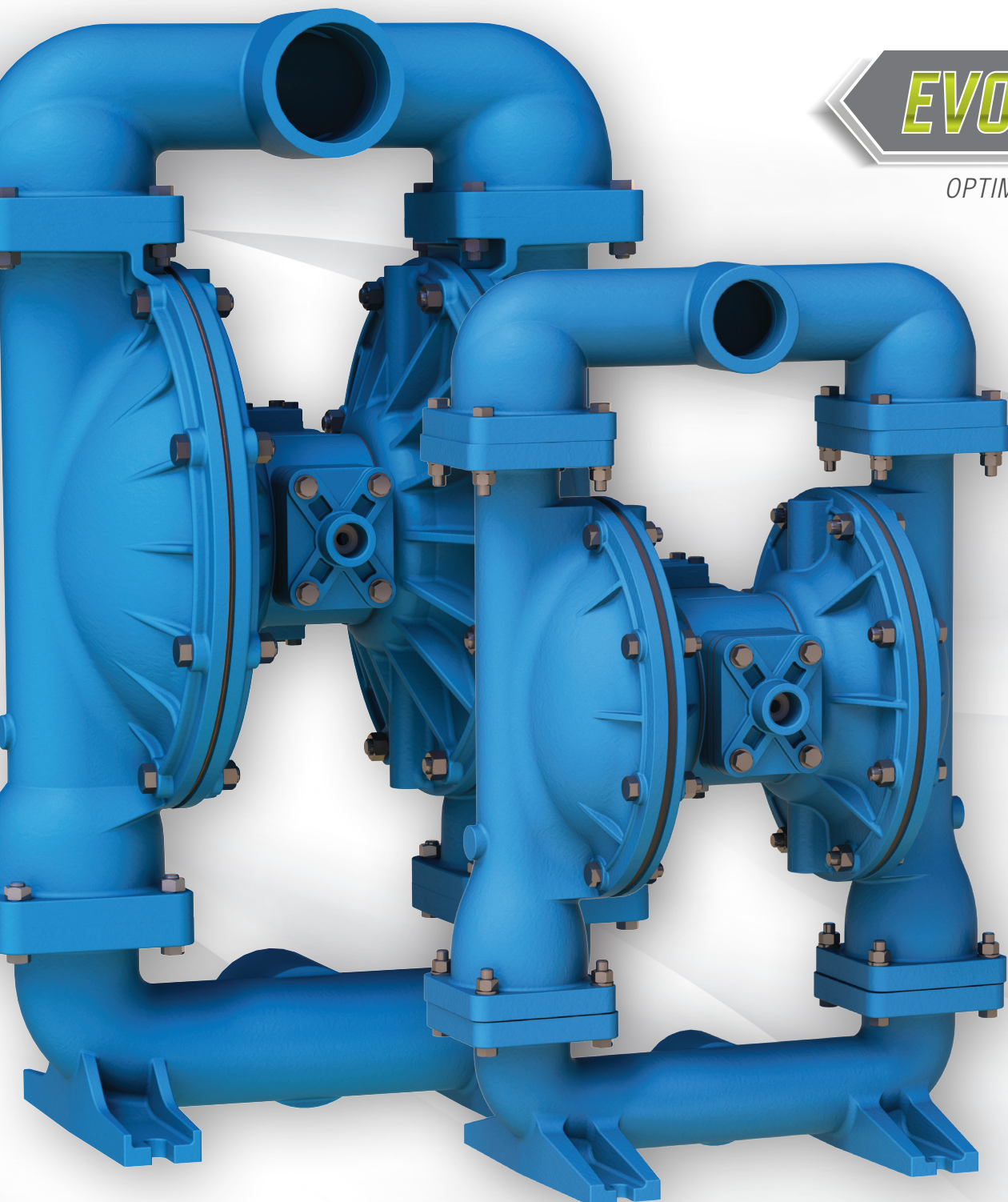


THE BEST

JUST GOT BETTER

2" & 3" STANDARD DUTY METALLIC AODD PUMPS



EVOLUTION

OPTIMIZED PERFORMANCE

IBEX

SANDPIPER®
A WARREN RUPP, INC. BRAND | SANDPIPERPUMP.COM

STANDARD DUTY BALL VALVE PUMP

PERFORMANCE & SPECIFICATIONS

S20 & S30 BENEFITS:

SANDPIPER's unique combination of best in class max flow rates and lowest air consumption makes them the most efficient and economical pumps available.

MAX FLOW RATE: The S20 is the **world leader in maximum flow rate** with up to **32% higher capacity**, allowing you to get your work done faster.

AIR CONSUMPTION: The S30 requires up to **56% less air** to operate, reducing the load on your compressed air system and **lowering operating costs**.

AIR ECONOMY: SANDPIPER's Metallic Standard Duty pumps provide up to **2.5 times more gallons out** for every cubic foot of air supplied.

ANNUAL SAVINGS: **SANDPIPER'S Metallic Standard Duty pumps can **save you up to \$3,543** in annual operating cost.

2" S20 METALLIC



50MM

MAX FLOW

198 GPM (750 LPM)

PORTING

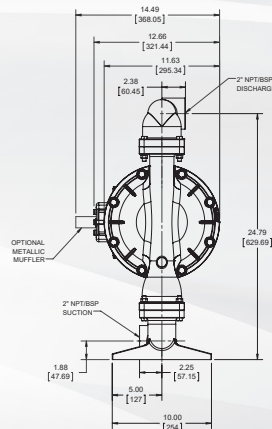
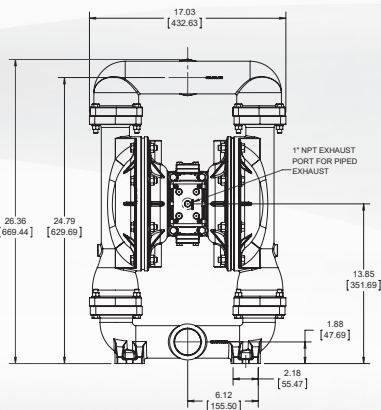
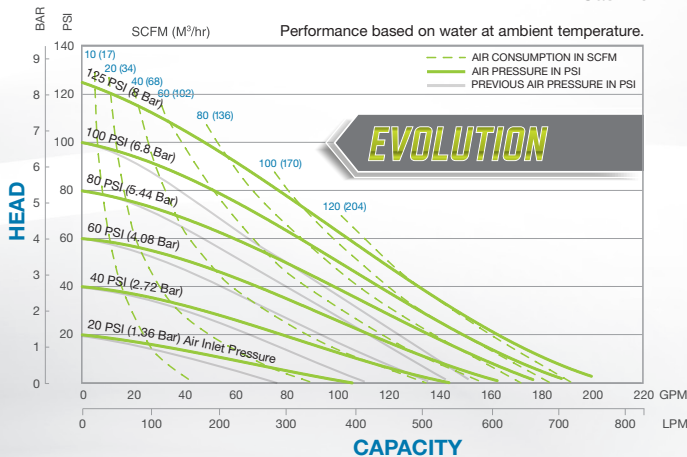
NPT / BSP
ANSI / DIN Flange

AIR END

Aluminum

WET END

Aluminum
Stainless Steel
Cast Iron

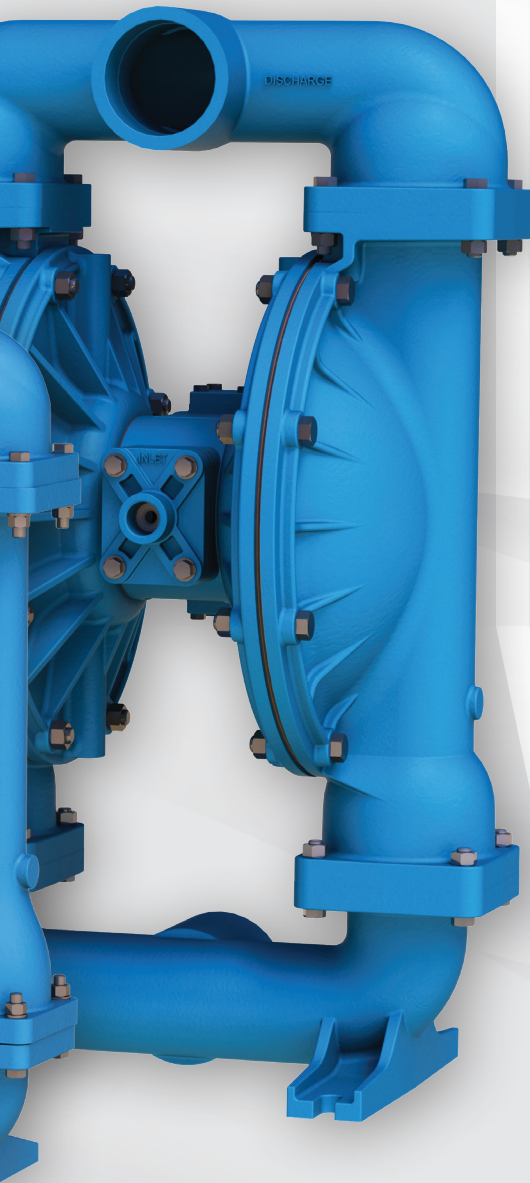


What is

EVOLUTION

OPTIMIZED PERFORMANCE |

ENGINEERED PUMPING SOLUTION



S20 & S30 FEATURES:

SERVICEABILITY: The Air Distribution System (ADS) is one of the most frequently serviced parts of any AODD pump. Only SANDPIPER's ESADS+ feature allows access to the complete ADS without removing the pump from service. Repair or clean in **5 minutes vs. 55 minutes** for competitors.

TRUST IN SIMPLICITY: SANDPIPER'S original Air Distribution System (ADS) has been proven to **stand the test of time**. Our ADS is fully interchangeable, repairable and inline serviceable. Other manufacturers have frequently changed ADS designs creating issues with interchangeability, obsolete inventory and increased **cost of ownership**.

GUARANTEES:

- Diaphragm Connecting Rod Guarantee
- 5 YEAR Limited Product Warranty
- Anti-Stall Air Valve Guarantee

3" S30 METALLIC



75MM

MAX FLOW

285 GPM (1,078 LPM)

PORTING

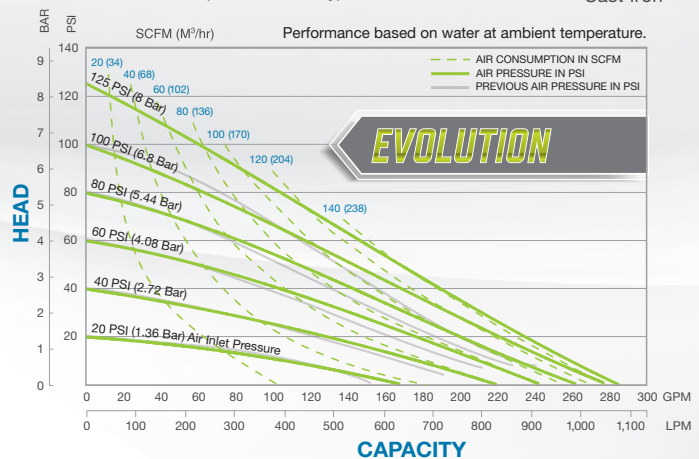
NPT / BSP
ANSI / DIN Flange
(AL and SS only)

AIR END

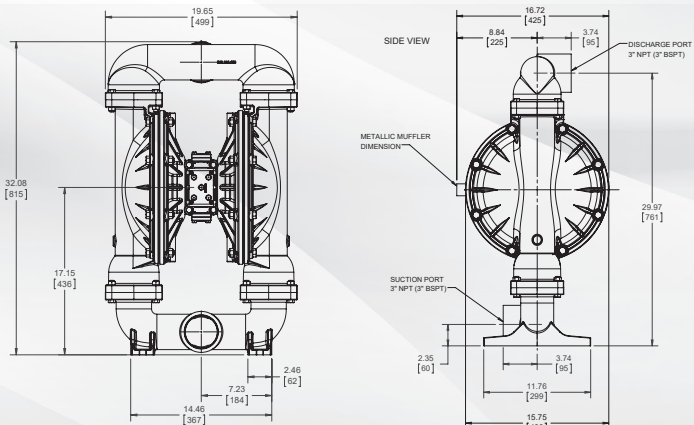
Aluminum

WET END

Aluminum
Stainless Steel
Cast Iron



Optimized performance without sacrificing proven reliability. These pumps have undergone an engineering **EVOLUTION**, leveraging trusted and proven product designs to improve their performance by application of advanced engineering methods.





S20 IS THE WORLD LEADER IN MAX FLOW

2" METALLIC STANDARD DUTY BALL VALVE PUMP VS. THE COMPETITION

SANDPIPER ADVANTAGE	KEY CONSIDERATIONS	SANDPIPER S20	WILDEN PS800	ARO PD20	GRACO Husky 2150	YAMADA NDP-50
Up to 32% higher Max Flow Rate	MAX Flow Rate (GPM / LPM)	198 / 750	171 / 647	172 / 651	150 / 568	164 / 621
Up to 59% less Air Consumption Up to 55% less Air Consumption	Air Consumption (SCFM / M³/hr) @150 GPM, 10 psi (@568 LPM, 0.7 BAR) @127 GPM, 20 psi* (@481 LPM, 1.4 BAR)	69 / 117 67 / 114	93 / 158 72 / 122	150 / 255 110 / 187	N/A 150 / 255	170 / 289 120 / 204
Up to 2.5 times better	Air Economy (GPM ÷ SCFM) @150 GPM, 10 psi (@568 LPM, 0.7 BAR) @127 GPM, 20 psi* (@481 LPM, 1.4 BAR)	2.2 1.9	1.6 1.8	1.0 1.2	N/A 0.8	0.9 1.1
Up to 65% less operating costs Up to 67% less operating costs	Annual Operating Cost (USD)** @150 GPM, 10 psi (@568 LPM, 0.7 BAR) @127 GPM, 20 psi* (@481 LPM, 1.4 BAR)	\$1,672 \$1,623	\$2,696 \$1,857	\$4,423 \$2,919	N/A \$4,866	\$4,842 \$3,026
Eliminate complexity	Ease of Selection Inventory Control	One Simple, time tested Design	13 Model Choices, 6 Air Valve Designs	Comparable	Comparable	Comparable
5 minutes vs 55+ What could you do with that extra time?	Ease of Maintenance ADS - Pilot Valve Repair / Replace	5 minutes	55+ minutes, Non-Repairable Main Air Valve and Pilot Valve	55+ minutes, Complex and challenging to maintain and repair	Comparable	55+ minutes, Valve spool seals non-repairable



S30 COSTS UP TO 67% LESS TO OPERATE

3" METALLIC STANDARD DUTY BALL VALVE PUMP VS. THE COMPETITION

SANDPIPER ADVANTAGE	KEY CONSIDERATIONS	SANDPIPER S30	WILDEN PS1500	ARO PD30	GRACO Husky 3300	YAMADA NDP-80
Among the market leaders	MAX Flow Rate (GPM / LPM)	285 / 1079	276 / 1045	275 / 1041	300 / 1136	215 / 814
Up to 56% less Air Consumption Up to 47% less Air Consumption	Air Consumption (SCFM / M³/hr) @215 GPM, 10 psi (@814 LPM, 0.7 BAR) @188 GPM, 20 psi* (@712 LPM, 1.4 BAR)	80 / 136 90 / 153	96 / 163 96 / 163	160 / 272 160 / 272	132 / 224 130 / 221	180 / 306 170 / 289
Up to 2.2 times better	Air Economy (GPM ÷ SCFM) @215 GPM, 10 psi (@814 LPM, 0.7 BAR) @188 GPM, 20 psi* (@712 LPM, 1.4 BAR)	2.7 2.1	2.2 2.0	1.3 1.2	1.6 1.4	1.2 1.1
Up to 67% less operating costs Up to 53% less operating costs	Annual Operating Cost (USD)** @215 GPM, 10 psi (@814 LPM, 0.7 BAR) @188 GPM, 20 psi* (@712 LPM, 1.4 BAR)	\$1735 \$2144	\$2476 \$2476	\$4822 \$4691	\$2204 \$2819	\$5278 \$4542
Eliminate complexity	Ease of Selection Inventory Control	One Simple, time tested Design	13 Model Choices, 6 Air Valve Designs	Comparable	Comparable	Comparable
5 minutes vs 55+ What could you do with that extra time?	Ease of Maintenance ADS - Pilot Valve Repair / Replace	5 minutes	55+ minutes, Non-Repairable Main Air Valve and Pilot Valve	55+ minutes, Complex and challenging to maintain and repair	Comparable	55+ minutes, Valve spool seals non-repairable

SANDPIPER and its products are not affiliated with Wilden Pump and Engineering Company. Wilden® is a registered trademark of Wilden Pump and Engineering Company. ARO® is a registered trademark of Ingersoll-Rand Company. Graco is a registered trademark of Graco Inc. Yamada® is a registered trademark of Yamada Corporation. * Typical Conditions Sited By Wilden. ** Assumptions: 2080 hours of operation per year, 10 cents per kilowatt hour. *** Competitive pump data taken from manufacturer's published literature.

LEARN MORE AT: SANDPIPERPUMP.COM/EVOLUTION



Warren Rupp, Inc. | A Unit of IDEX Corporation
800 North Main Street, Mansfield, OH 44902 USA
Phone: 419.524.8388 | Fax: 419.522.7867
SANDPIPERPUMP.COM



Contact Your Local Distributor to Place Your Order:

